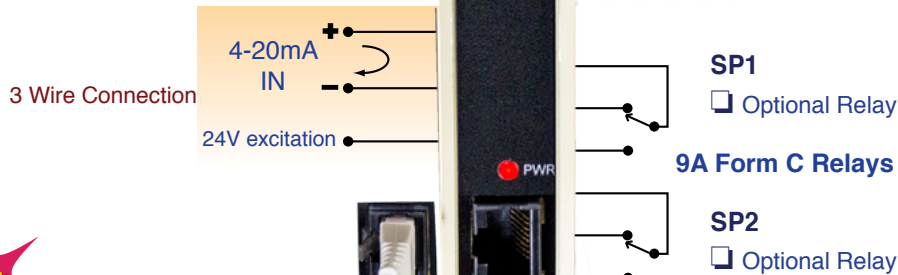
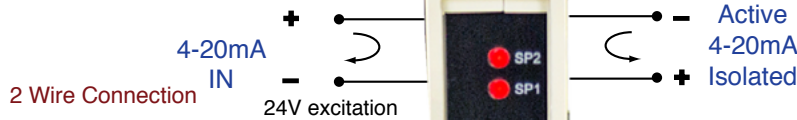
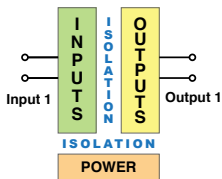




Leopard TL-IP02 4-20mA Isolator

- ▶ Compact, 22.5mm, DIN Rail Mount Isolator
- ▶ 4-20mA to 4-20mA Isolator
- ▶ Two optional 6A FormC Relays
- ▶ Triple Isolated: Power to Inputs
Power to Outputs
Inputs to Outputs



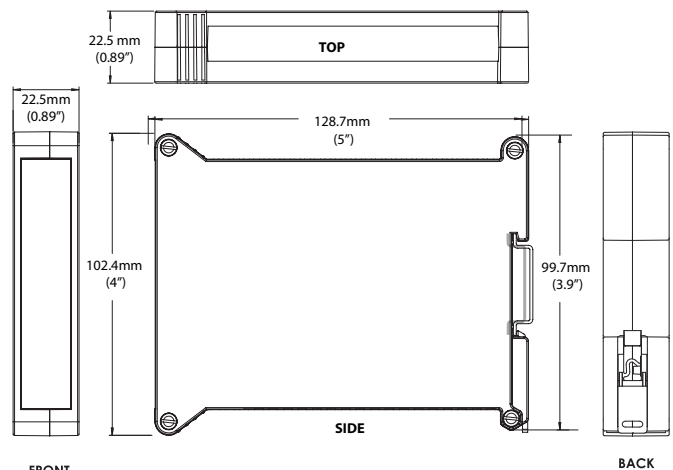
Optional Remote Display Programmer
Needed for Programming Relays



POWER SUPPLY

- PS2 15 to 48 VAC 3.5W
50-400 Hz
Fuse Not Replaceable
10 to 72 VDC 3.5W
- PS1 85 to 265 VAC 3.5W
50-400 Hz
95 to 300 VDC 3.5W

CASE DIMENSIONS



TL-IP02. . . Process Loop, 4-20mA(0-100.00) w/24VDC Exc.....\$195

▶ **POWER SUPPLY**

- PS1 85-265VAC/95-300VDC\$0
- PS2 15-48VAC/10-72VDC\$35

▶ **RELAY OUTPUT**

- R11. . Single 6A Form C Relay\$40
- R12. . Dual 6A Form C Relays\$75

Short Depth 96x48 Remote Display/Programmer Kit
OP-TL/RDISP. . Remote Display/Programmer
w/Cable and Belt clip Carrying Case\$75



• For ordering info call: 1-800-TEXMATE or 760 598-9899
• Email: orders@texmate.com • Fax: (760) 598-9828
• For tech assistance call: (760) 598-9899
450 State Place, Escondido, CA 92029